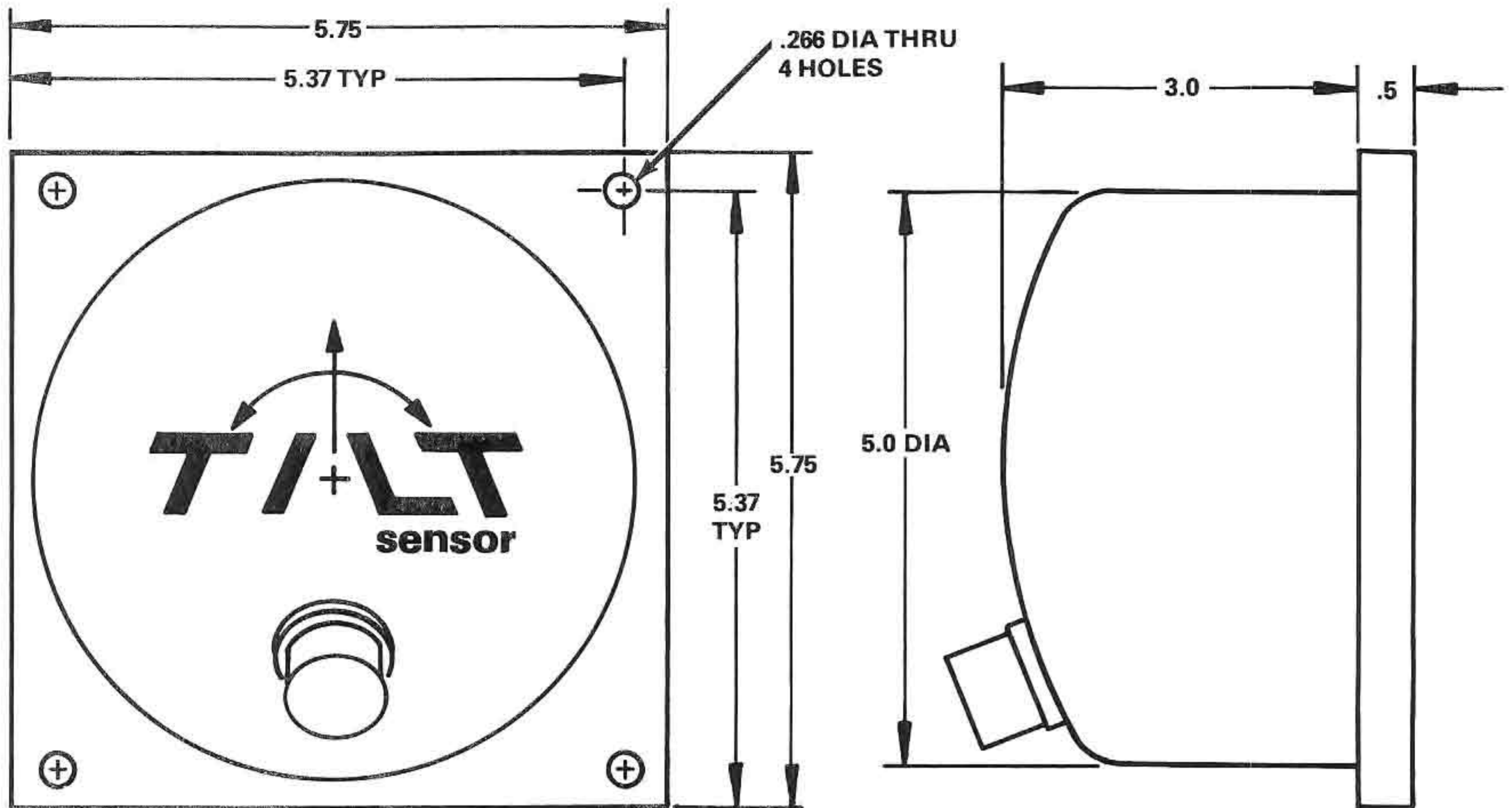


Dimensions (inches):



Weight:	2.9 pounds
Material:	Base: Anodized aluminum Cover: Acrylonitrile butadiene styrene
Connector:	Mates with MIL-C-26482 MS 3116-12-10S
Electrical power:	+ 6 volts dc, 3 milliamperes - 6 volts dc, 3 milliamperes (input voltage range ± 4.5 volts dc to ± 8.0 volts dc)
Performance, Premier Line standard unit:	Linear range — ± 30 arc minutes Threshold — 0.003 arc minute Resolution/sensitivity — 0.003 arc minute — Repeatability — 0.005 percent of reading Time constant — 3 seconds Settling time — 15 seconds Temperature range — -40°F to $+140^{\circ}\text{F}$ Thermal null stability per $^{\circ}\text{F}$ After temperature stabilized — 0.005 arc minute During temperature transient — 0.01 arc minute Output signal — 0.1 volt dc per arc minute Warning threshold range — 1 to 20 arc minutes

TILT SENSING EQUIPMENT PERFORMANCE PARAMETERS

<u>PARAMETER</u>	<u>ARC MIN</u>	<u>IN/FT For Ref.</u>	<u>DEGREE</u>	<u>IN/FT For Ref.</u>
Range	+/-30	+/-0.105	+/-20	+/-4.37
Threshold	0.003	0.000010	0.0045	0.00094
Resol./Sens.	0.003	0.000010	0.0045	0.00094
Repeatability	0.005	0.000017	0.005	0.001
Readouts Range	+/-19.99	+/-0.070	+/-19.99	+/-4.37
Readouts Resol. (FOR REF. ONLY)	0.01 (.6 sec)	0.000035	0.01 (36 sec)	0.0021
Output, VDC/Unit	0.100	28.6	0.100	0.478
Threshold Range	+/-20	+/-0.070	+/-20	+/-4.37
Thermal Stability/F ⁰				
Stable Temp.	0.005	0.000017	0.000278	0.000058
Transient Temp.	0.01	0.000035	0.000556	0.000116
Linearity, % Reading	5	-	2	-
Time Constant, Sec.	3	-	3	-
Settling Time, Sec.	15	-	15	-
Example: Slope				
Min. read at 10'	-	.00035"	-	.021"
Max. read at 10'	-	.7"	-	43.7"
Min. read at 20'	-	.0007"	-	.042"
Max. read at 20'	-	1.4"	-	87.4"

